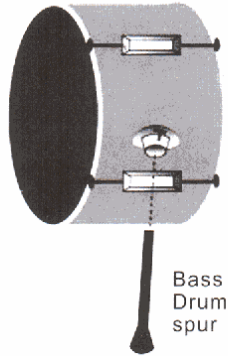
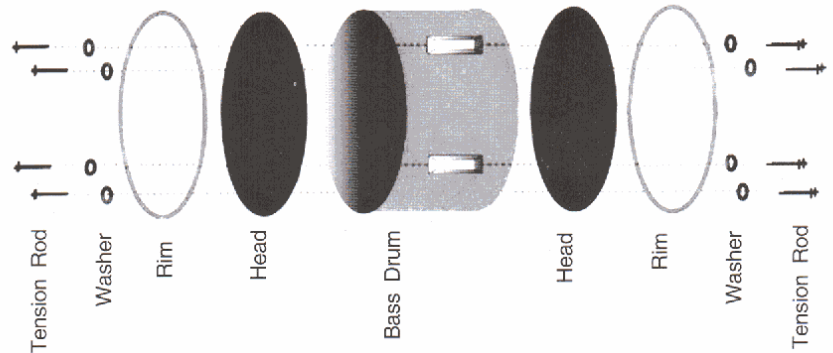


# TKO 99 DRUM ASSEMBLY GUIDE

## Step #1

Attach the front and rear heads, tighten each tension rod with the drum key until the wrinkles disappear.

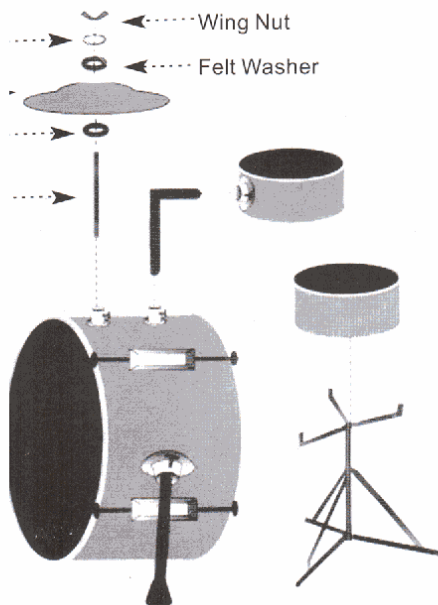
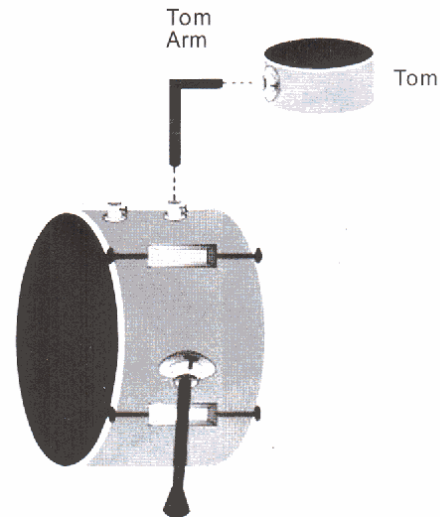


## Step #2

Insert beater into place and tighten, attach bass drum pedal to hoop by tightening hoop clamp wing screw securely. Insert bass drum spurs into sockets and tighten with wing nuts at lengths that will hold the bass drum level.

## Step #3

Secure arm in top of bass drum and tighten with wing nut, slide tom onto the arm and secure with wing nut.



## Step #4

Secure cymbal between felt washers on cymbal mount. Then secure in the last mounting socket on top of bass drum. Unfold the snare stand and place the snare onto the stand.