

TKO ASSEMBLY GUIDE

FOR DRUM SET 430, 101

ASSEMBLY INSTRUCTIONS:

1. BASS DRUM:

Figure 1 (unassembled). Lay bass drum shell (A) on a flat surface. Front side up. (The spur and the tom brackets (H&J) are set closer to the front of the bass drum place decorative bass drum head (B) over shell with flange side down and place the tension hoop over the drum head.) Next hang a tension claw (D) over above every tension lug (E) on the side of the bass drum shell. Insert T-rod (F) into the tension lug (E). Start all T-rods and tighten tension evenly around the tension hoop. Check bass drum head for desired sound as you tighten the T-rods. Turn bass drum over and repeat same steps to put the other head on. Now your bass drum is assembled. Set bass drum up on its side with the tom tom holder bracket on top. Determine the front and rear of the bass drum by locating the spur brackets (H). The spur brackets are set closer to the front of the bass drum. Insert the bass drum spurs (I) into the brackets. Adjust spurs so the bass does not pivot.

2. HANGING TOM TOMS

Figure 1. Insert tom tom holder into tom tom holder bracket (J) located on top of bass drum. Position the tom holder at the center swivel (K) into shape of "7" and lock in place. Mount tom tom drum on the holder and tighten into place. Adjust height of tom drum by loosening tension key on the tom holder bracket and sliding tube into desired position. Tighten all tension keys and wing nuts necessary.

3. SNARE DRUM AND STAND

Figure 3. Open three-legged stand base (A) until legs are fully extended. Tighten wing nut (B) at the top of base tube, loosen wing nut (C) and insert rod of snare holder. Tighten wing nut (D) on rod of snare holder. To tilt arms of snare holder to desired position, adjust wing nut (E) on rod of snare holder. Lay snare drum (snare side down) into snare stand arms. Tighten basket adjusting nut (F) until arms securely hold snare drum.

4. FOOT PEDAL

Set base of foot pedal on flat surface. Insert beater into place and tighten. Loosen wing nut swivel clamp. Insert retaining bar tip into hole located on base underneath the swivel clamp. Slide the swivel clamp over the bass drum tension hoop (rear) at the bottom of the bass drum. As you tighten the wing nut on the swivel clamp, the clamp will secure the pedal to the bass drum.

5. FLOOR TOM TOM

Figure 2. Lay floor tom shell (A) on flat surface on end. Next lay 16" head (B) on top shell with the flange side down. Now place 16" tension hoop (C) over head and align the holes with the tension lugs (D) on side of drum. After inserting tension through washers, insert through holes on tension hoops and tighten into tension lugs. To adjust tension evenly around drum to get desired sound, use drum key. Turn drum over and repeat directions on the other end. The bottom of the floor tom can easily be determined by locating the leg brackets (H). These are located on the side of the drum and closer to bottom end. Now lay the drum on its round side and insert the legs (G) into the leg brackets (H) on the side of the drum do the rubber tips will be sitting on the flat surface when you raise the drum. After raising the drum, adjust to desired height by loosening the wing nuts on the leg brackets and sliding the drum up or down on the legs. Retighten wing nuts securely.

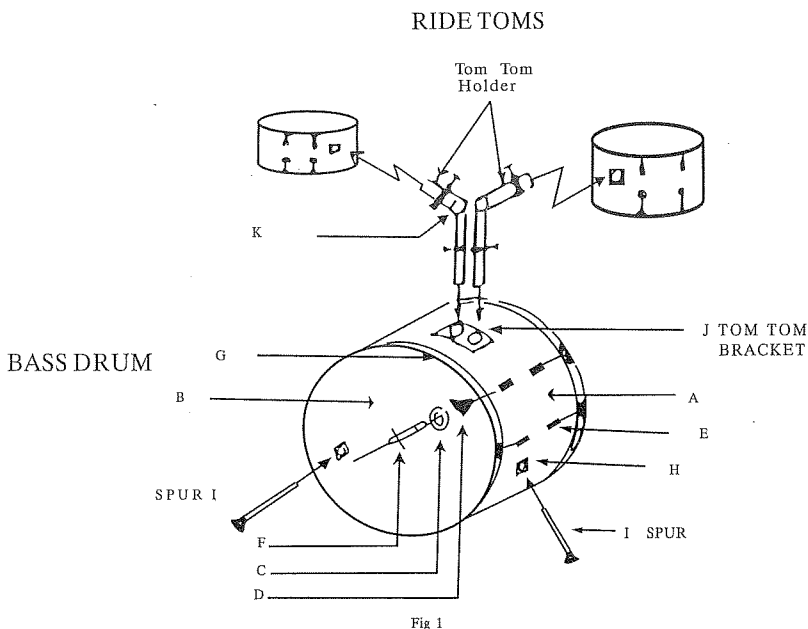


Fig 1

FLOOR TOM

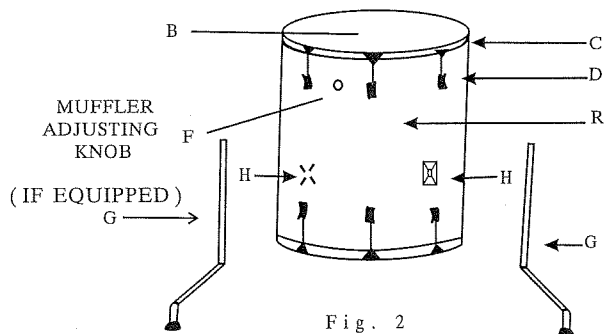


Fig. 2

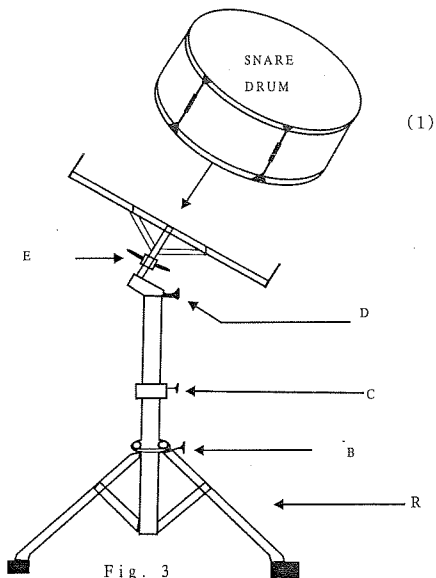


Fig. 3